

Bio Clamp®

As the alternative to traditional stainless steel clamps, the Bio Clamp is light weight, tough and resilient.

The Bio Clamp's design and construction lend itself to increased heat dissipation during high temperature applications. Reducing heat in non-metallic ferrules reduces the chance of warping and allowing leaks to occur. It may be sterilized by either steam or gamma irradiation. Designed to fit sanitary flanges conforming to ISO 2852.



US Patent Number: US 6,708,377 B2 Date of Patent March 23, 2004
UK Patent Number: GB2361753 Date of Publication 07-04-2004

Bio Clamps are available in: .5" - .75", 1" - 1.5", 2", 2.5", 3", and 4"

Bio Clamp Features:

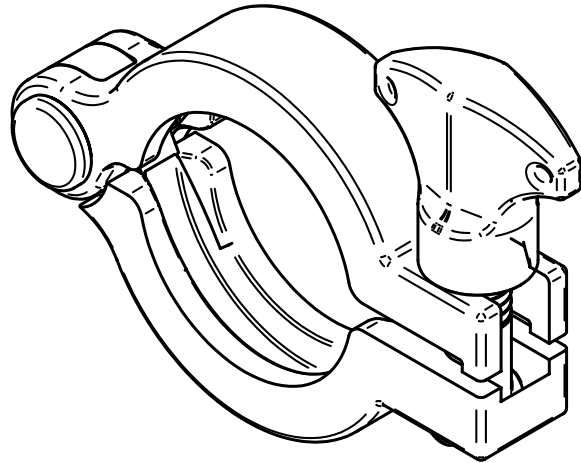
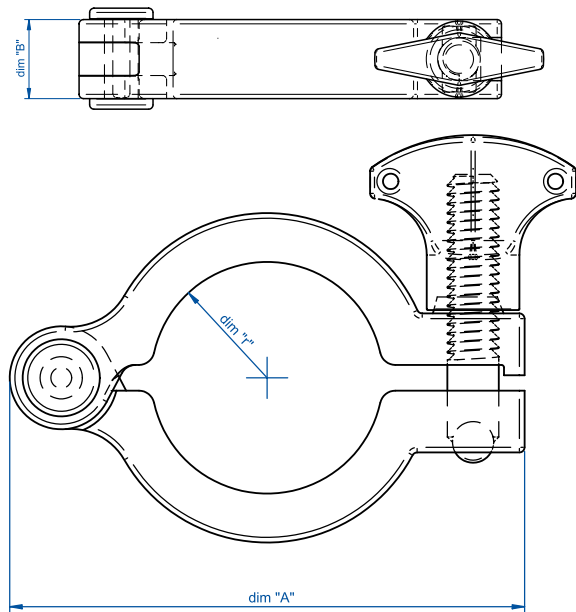
- For use in GMP Manufacturing
- Gamma stable to 25-40 kGy
- Autoclave sterilize to 275°F (135°C)
- Lightweight
- Reusable durability, disposable economy
- Recommended working pressure, 150psi @ 70°F

Use the Bio Clamp with:

- Bioprocess containers
- Bioreactors
- Disposable filtration processes
- Flexible packaging systems
- Filling Machines
- Mixing containers and vessels
- Sampling ports
- Tubing sets

BioClamp®

Dimensional and Physical Properties



- NOTES:
 1. NO CONTAMINATION ALLOWED.
 2. MAXIMUM SPLIT LINE FLASH 0.2 mm.
 3. INJECTION GATE MARK TO BE TRIMMED FLUSH.

Size	Part No.	Dim A (Inches, mm)	Dim B (Inches, mm)	Dim r (Inches, mm)	Max Rec wpsi
.5" - .75"	NG075WH	2.17" (55)	.749" (19)	.394" (10)	150 psi
1" - 1.5"	NG150WH	3.94" (100)	.749" (19)	.886" (22.5)	150 psi
2"	NG200WH	4.64" (118)	.749" (19)	1.26" (32)	150 psi
2.5"	NG250WH	5.20" (132)	.749" (19)	1.497" (38)	150 psi
3"	NG300WH	5.75" (146)	.749" (19)	1.773" (45)	150 psi
4"	NG400WH	6.66" (169)	.749" (19)	2.25" (57)	150 psi

Tensile Strength (MPa)	Tensile Strength	Flexural Modulus (MPa)	Heat Deflection	Water Absorption	Maximum Recommended Working Temperature F°
Nylon resin used in the Bio Clamp	195 Mpa ISO 527	10000 Mpa ISO 527	261° C @ .45 Mpa ISO 75f	1.9% @ 50% RH Similar to ISO 62	200° F

Physical properties provided as general guidelines only. It is the end-users responsibility to ensure that the above mentioned products are compatible with the intended application and that the products are in compliance with all applicable regulatory requirements for use. User assumes all risk of usage.

For additional information please contact:



P.O. Box 126, Readington, New Jersey, USA
 Phone: +01-908-722-6948 Fax: +01-908-526-3256
www.bioconnex.com