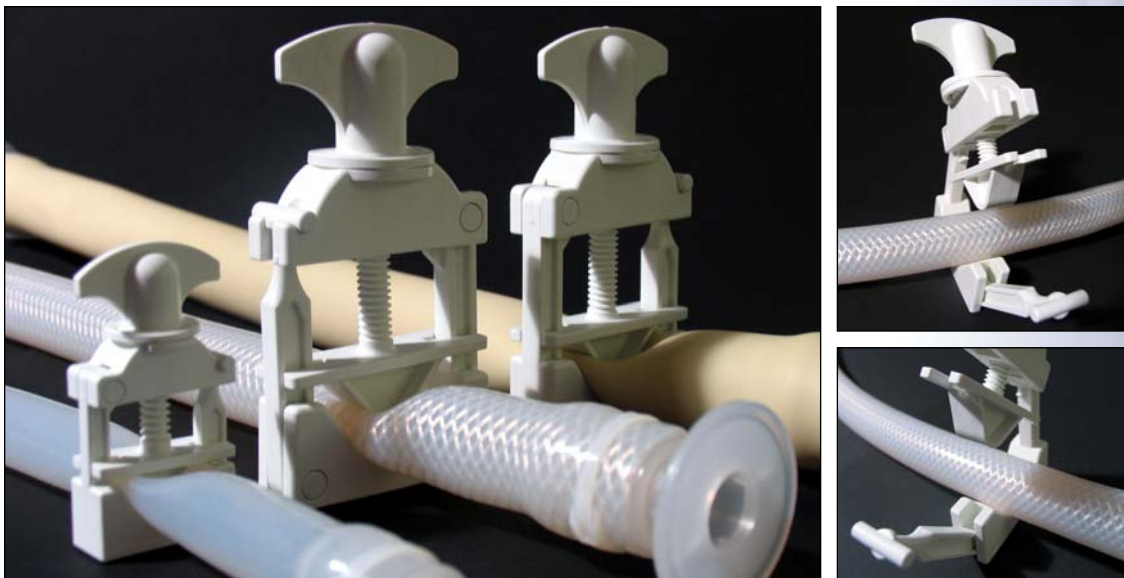


Bio Valve™

Bio Valve™ is a straight forward designed tube valve/clamp.

The Bio Valve™ is a simple straight forward designed tube valve/clamp. It is easily manipulated and manufactured from a reinforced nylon that is light weight. It may be easily applied to tube in use and offers the option to calibrate flow through the tube. The design of both the gate and seat lends itself to being user friendly. Should the tube not be centralized with in the valve, the Bio Valve™ will still perform its function without any adverse effects.



Patent Pending UK: 0605408.4

Bio Valve™ Features:

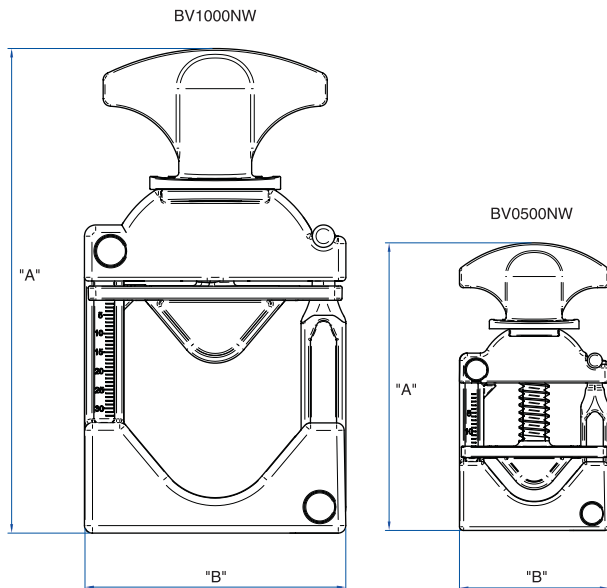
- Perforations on the wing nut allow the valve to be "locked" into position
- Capable of being calibrated to your specific tube size
- Two valve sizes to accommodate tubing ID from 1/8" to 1".
- May be utilized on tubing with a hardness up to 80 Shore A
- Can be applied to tubing and assemblies already in service
- Sterilized by either irradiation or autoclave
- Service pressure to 150psi @ 60 deg F or up to tubing's capability

Use Bio Valve™ with:

- Bioprocess containers
- Bioreactors
- Fermentors
- Flexible packaging systems
- Filling applications
- Filtrations and purification systems
- Sampling ports
- Tubing sets

Bio Valve™

Dimensional and Physical Properties

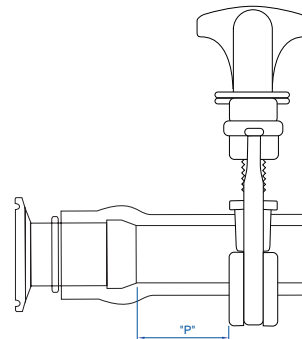


Size	Part Number	DimA (in)	Dim B (in)	Accommodates Tube ID
1/2"	BV0500NW	3.03"	1.58"	1/8" thru 1/2"
1"	BV1000NW	5.12"	2.76"	5/8" thru 1"

Use and placement of a Bio Valve™

The Bio Valve™ should be placed no closer than 1" to the end of the inserted fitting on 1/2" ID tube and smaller and no closer than 2" on tubing 5/8" ID and larger. Placement of the Bio Valve™ too close to the end of any fitting may interfere with the tubing seal on that fitting.

	"p"
BV0500NW	≥1"
BV1000NW	≥2"



Tensile Strength (MPa)	Tensile Strength	Flexural Modulus (MPa)	Heat Deflection	Water Absorption	Maximum Recommended Working Temperature F°
Nylon resin used in the Bio Valve™	195 MPa ISO 527	10000MPa ISO 527	261° C @ .45 MPa ISO 75f	1.9% @ 50% RH Similar to ISO 62	200° F

Physical properties provided as general guidelines only. It is the end-users responsibility to ensure that the above mentioned products are compatible with the intended application and that the products are in compliance with all applicable regulatory requirements for use. User assumes all risk of usage.

For additional information please contact:



P.O. Box 126, Readington, New Jersey, USA
 Phone: +01-908-722-6948 Fax: +01-908-526-3256
www.bioconnex.com